

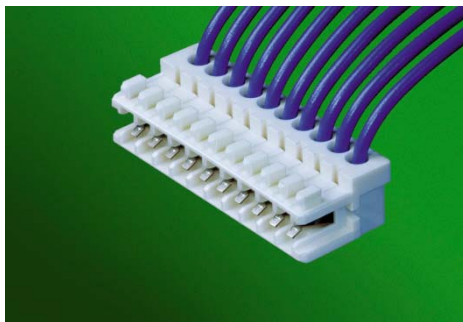


### Application

- In the home appliance industry
- Developed for laboratory, model and small batch series
- Processing of all connector system series  
- ECO-TRONIC

### Features

- Processing of single wires, single contacting
- Casing guide



### Technical Data

#### Mechanical

Wire section: 0,22 mm<sup>2</sup> and 0,35 mm<sup>2</sup>  
Durability: ca. 1 million processing cycles

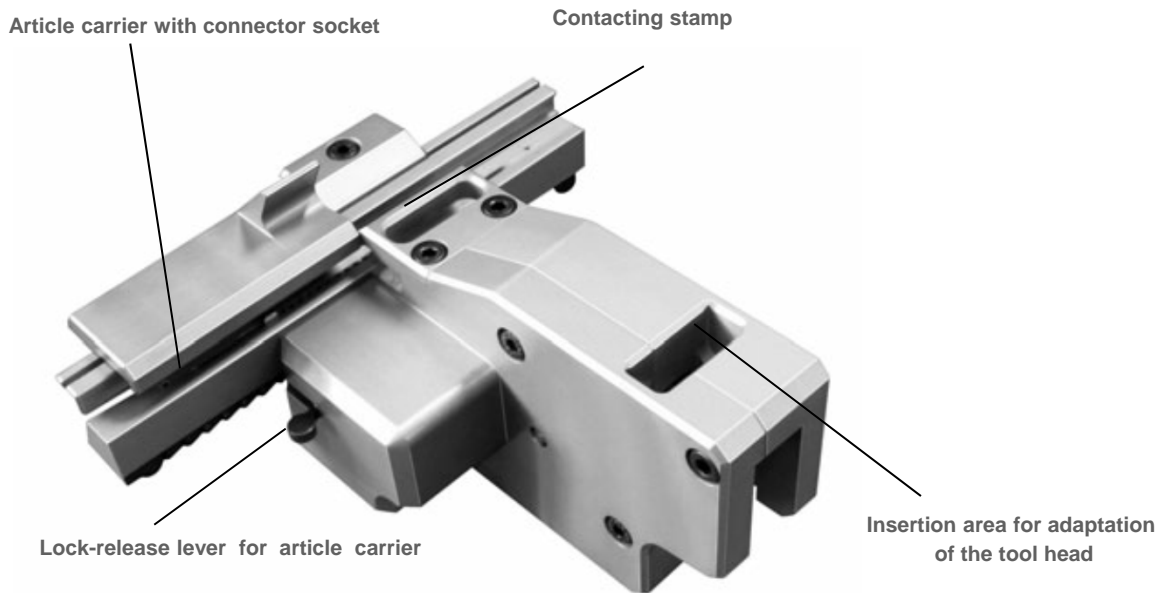
#### Connector series

ECO-TRONIC	Positions
MF 7234	2 – 20
MF 7236	2 – 20
MF 7238	3 – 20
MF 7242	3 – 20

# Product Information



## WK/P-R 2.5



To operate the tool head WK/P-R 2.5 the following drives can be used:

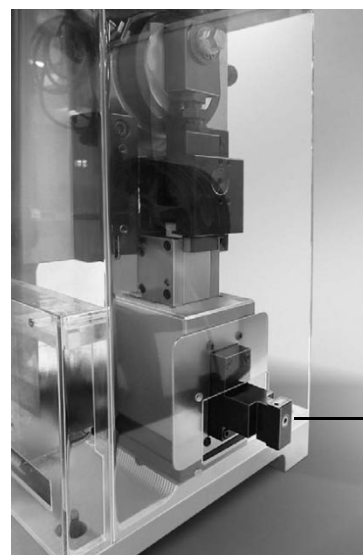
*Hand grip WZ 63*



*Hand lever press WT 3*



*Crimping machine + Adapter WA 30*



*Mounting adapter WA 30 in crimping machine*

